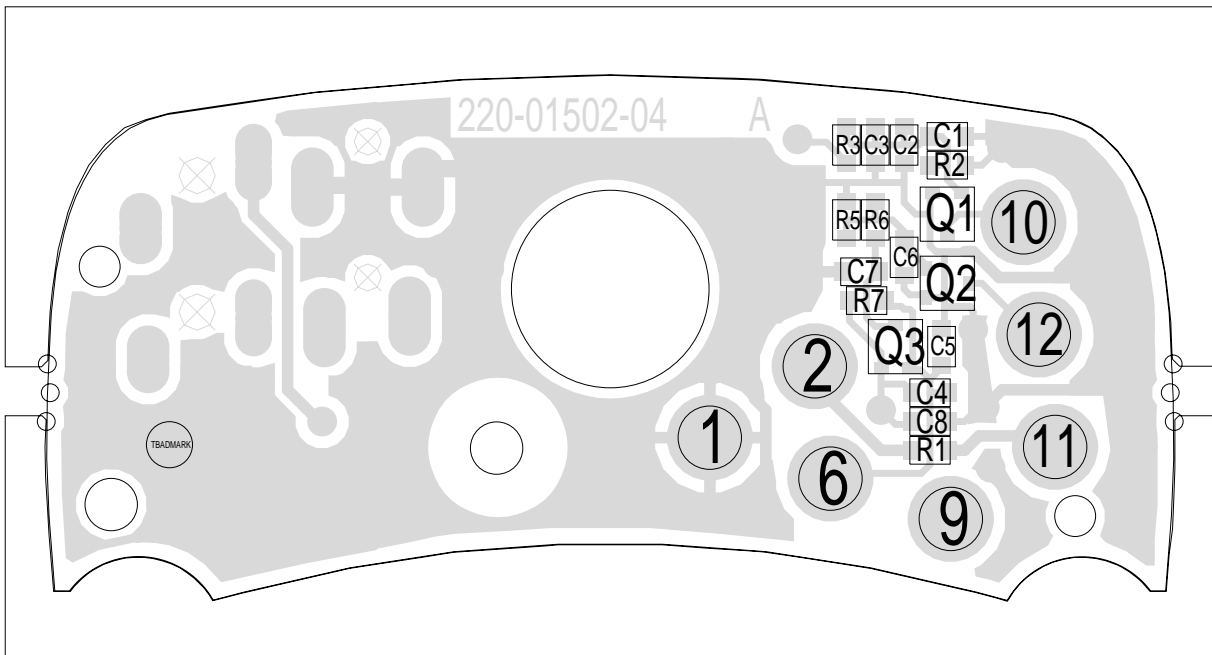


REV/ISS	AMENDMENTS	DRAWN	CHKD	D.O.	APVD	DATE
4A	ADDED 4 CAPACITORS	ADAM-D				19/03/98
3A	MADE BREAKOUTS MORE EFFECTIVE	ADAM-D				24/11/97
2A	CHANGED SOCKETS ROUND	ADAM-D				11-09-97
A		SD				20-08-97

© TAIT ELECTRONICS
 ORCA AUXILIARY CONNECTOR PCB
 MOTOROLA

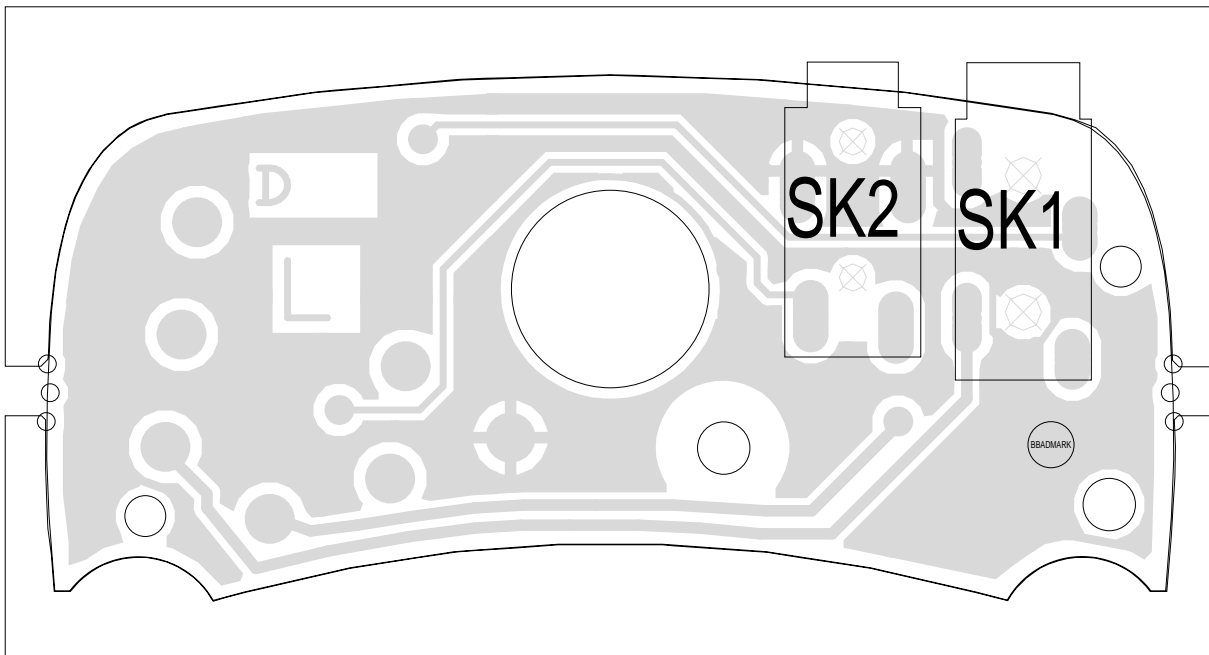
IPN: 220-01502-04 ISSUE: 4A ID: 2.SC. 1

PROJECT: ORCA DESIGNER: ADAM-D FILE NAME: 150204A FILE DATE: 19/03/98 NO.SHEETS: 1



TAIT ELECTRONICS	IPN:	ISS:	ID:	DATE:
	220-01502-04	4	1.TA	19 Mar 1998
MOTAUXCON PCB LAYOUT - TOP SIDE				

Scale: 3:1 ; Rotation: 0 degrees



TAIT ELECTRONICS	IPN: 220-01502-04	ISS: 4	ID: 2.BA	DATE: 19 Mar 1998
MOTAUXCON PCB LAYOUT - BOTTOM SIDE				

Scale:3:1 ; Rotation: 0 degrees